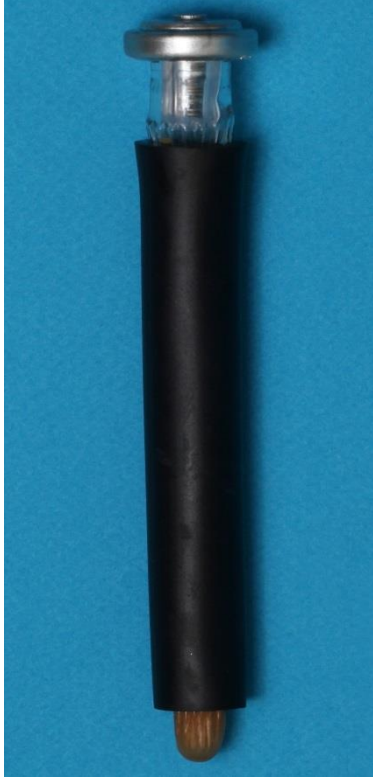


Power Assembly Airless Dispensing Systems



Female Valve	
<i>Components</i>	<i>Material</i>
Barrier Pouch	PET
Spring	302 Stainless Steel
Piston	Nylon 66 (FDA)/POM
Spring Basket	PP
Internal Gasket	Butyl U105 Buna-N B175 Neoprene N213 Butyl U133 Buna-N DB219 (FDA)
On Demand: 316 Stainless Steel Spring/Other Viton Inner Gasket	

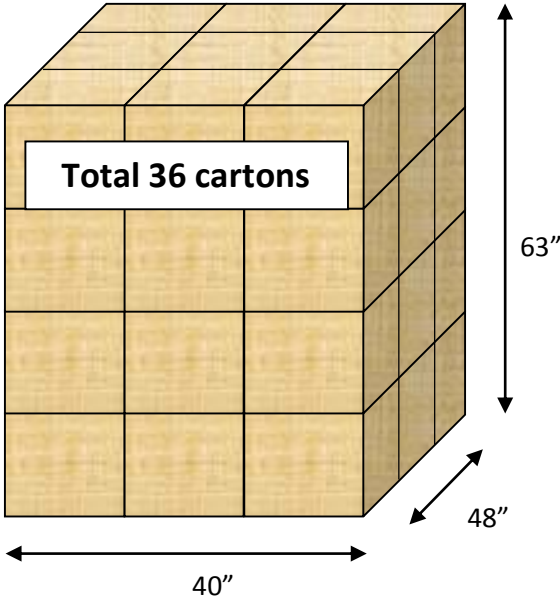
Size		Max Fill Amount		Packaging	
(ml)	(Fl. oz.)	(ml)	(Fl. oz.)	Carton Quantity	Carton Weight
60	2	83	2.80	600	38 lbs
104	3.5	118	3.90	500	33 lbs
119	4	150	5.00	500	33 lbs
207	7	247	8.30	350	33 lbs

Other executions on request/ Autres exécutions sur demande/ Andere Ausführungen auf Anfrage
Subject to change at any time without notice

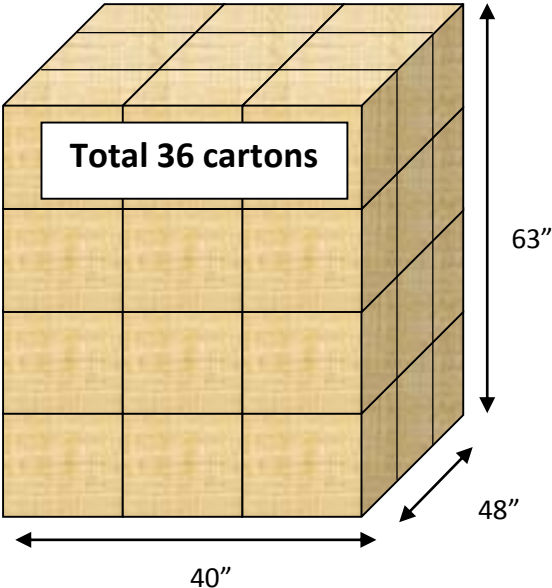
Palletisation / Packaging

Domestic

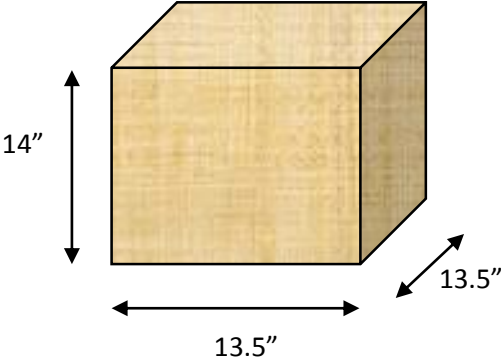
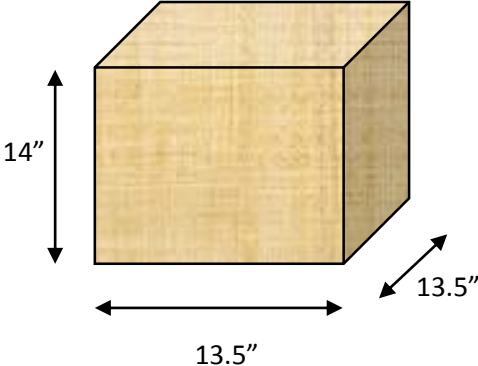
Power Assembly



Accessories

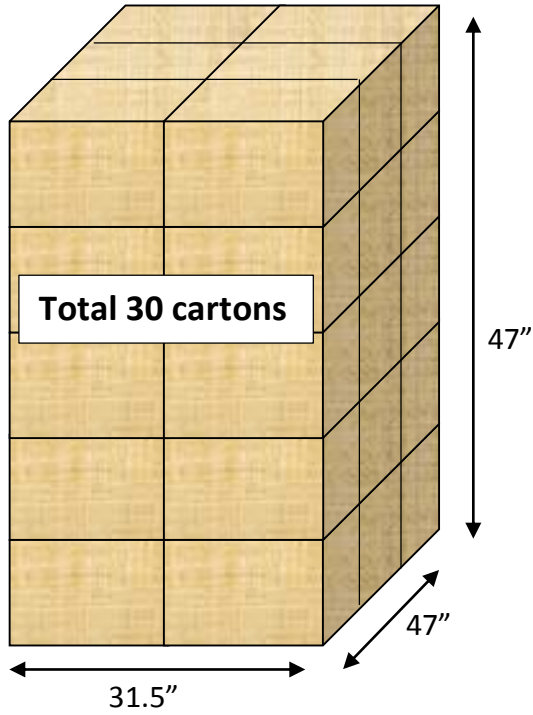


Carton size

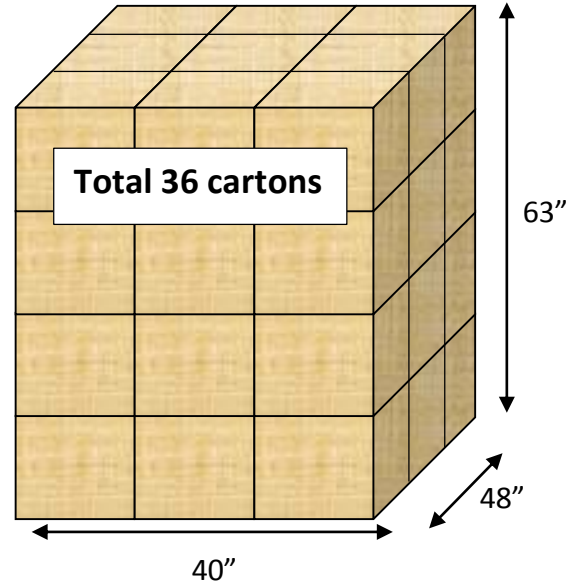


International

Power Assembly



Accessories



Carton size

